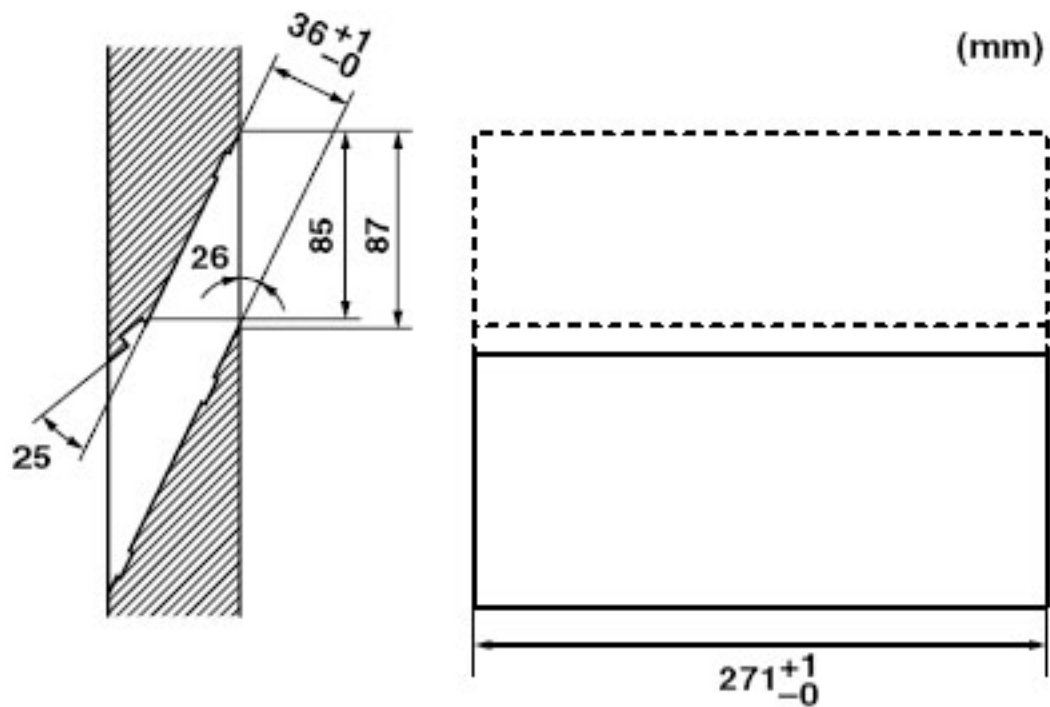


Cut out drawing



Measurements

