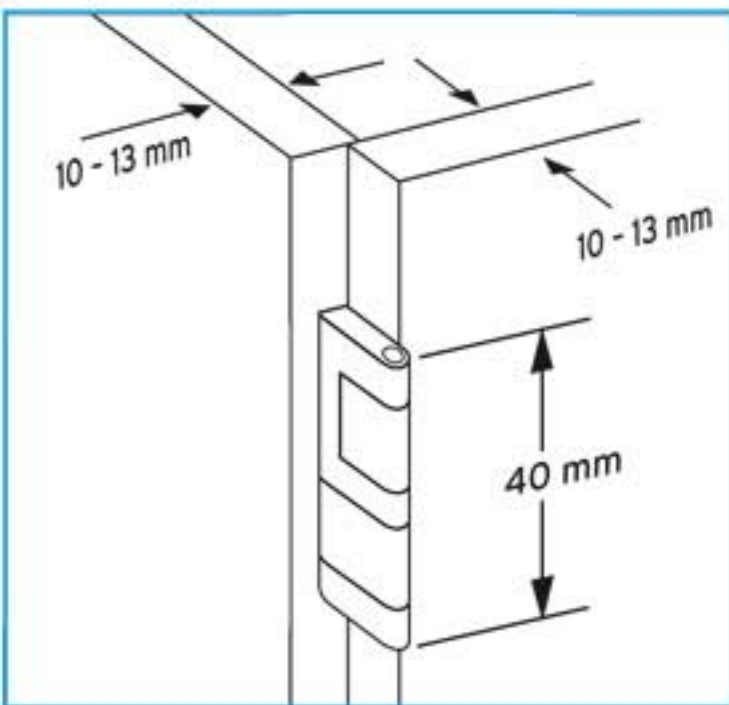


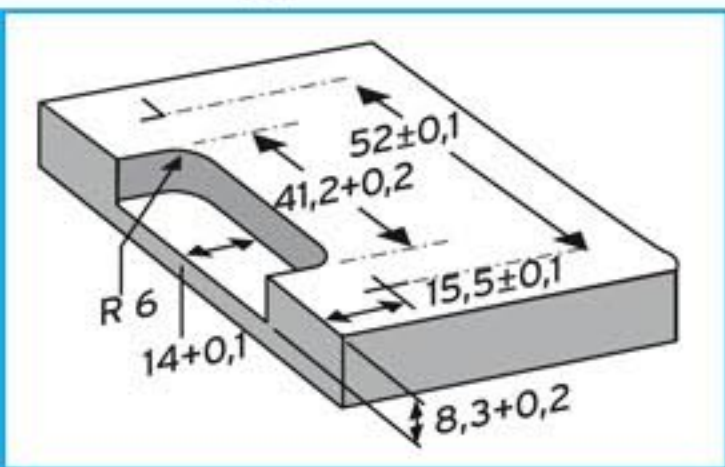
FLAT HINGE

Special single pivot hinge

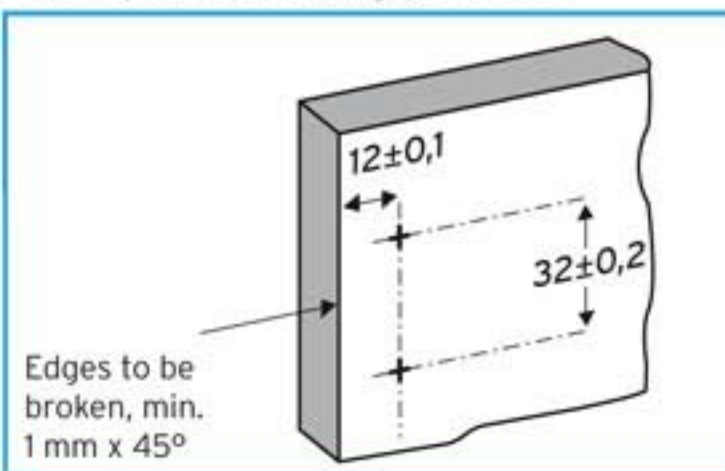
- Special hinge for thin doors and compact boards (HPL)
- Flat base plate, only 4,5 mm high - suitable for modular systems
- Full overlay, half overlay and twin application
- Opening angle up to 240°
- Knuckle of 5 mm



Door drilling pattern





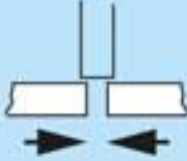
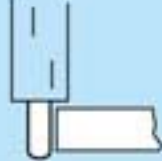
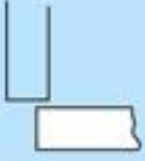


Base plate drilling pattern



Recommended fastening with self tapping screws 3,9 x 9,5 mm (Pre-drilled hole \varnothing 3,3 mm) with special anticorrosion protection finish.



- With catch
- Door overlay adjustment - 1 mm
- Height adjustment \pm 2 mm
- No door protrusion at 140° opening and more
- Hardened steel axle, based 4 times in polyamide bushings - maintenance free
- Secured axle
- Robust precision zinc die casting, standard version nickel plated, black finish or corrosion resistant finish on request
- **Stainless steel version for single hinge**

						NORM	
364FL51 N		100	240°/270°	6	7,5 / 2,0 * 9 / 3,5	10 / 10-13 13 / 10-13	ANSI ANSI
365FL51 N		50	180°	6	9 / 3,5	13 / 10-13	ANSI